

SMD Crystal Resonators / MHz Band Crystal Resonators (For Automotive)

DSX321G/DSX320G/DSX320GE



DSX321G

DSX320G



DSX320GE

Actual size

■ Features

- Miniature and lightweight SMD crystal resonator height
 DSX321G (over 12MHz): 0.75mm
 DSX321G (under 12MHz): 0.85mm
 DSX320G (over 12MHz): 0.85mm
 DSX320G (under 12MHz): 0.95mm
 DSX320GE: 0.95mm
- Excellent heat resistance, High precision and high reliability
- Offers a wide frequency range from 7.9MHz to 64MHz
- Enhanced durability of solder parts for thermal cycles : after 3000 thermal cycle tests $-40, +125^{\circ}\text{C}$ (DSX320G/DSX320GE)
- AEC-Q200 Compliant
- It is possible to correspond to complete lead free.

■ Applications

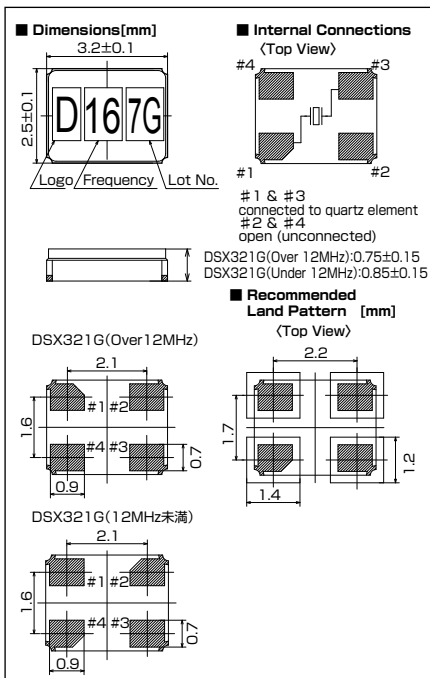
- Multimedia devices such as car navigation systems and car audio, safety control, TPMS, keyless entry (DSX321G)
- ECU (engine, body work control), safety relations, car body control, ABS, EPS (DSX320G/DSX320GE)

■ Standard Specification

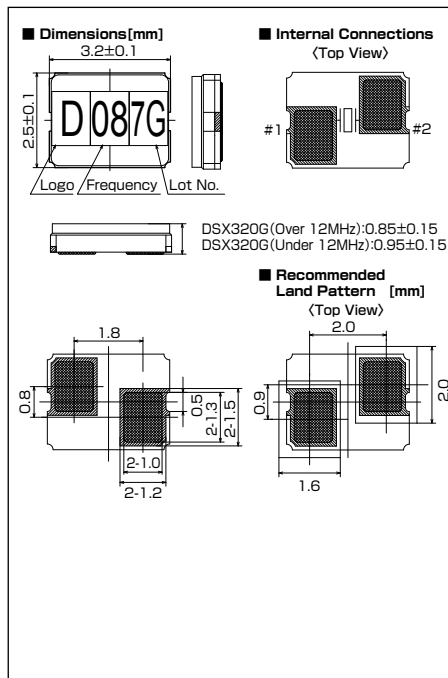
Item	Type	DSX321G/DSX320G/DSX320GE				
		7.9~9.8MHz	9.8~11MHz	11~12MHz	12~27MHz	27~64MHz
Frequency Range		7.9~9.8MHz	9.8~11MHz	11~12MHz	12~27MHz	27~64MHz
Overtone Order		Fundamental				
Load Capacitance		Series, 8pF, 10pF, 12pF				
Drive Level		10 μW (200 μW max.)				
Frequency Tolerance		$\pm 30 \times 10^{-6}, \pm 50 \times 10^{-6}, \pm 100 \times 10^{-6}$ (at 25 $^{\circ}\text{C}$)				
Series Resistance		400 Ω max.	200 Ω max.	150 Ω max.	120 Ω max.	100 Ω max.
Frequency Characteristics over Temperature		$\pm 50 \times 10^{-6} / -40 \sim +85^{\circ}\text{C}$ (Ref. to 25 $^{\circ}\text{C}$)				
		$\pm 100 \times 10^{-6} / -40 \sim +125^{\circ}\text{C}$ (Ref. to 25 $^{\circ}\text{C}$)				
		$\pm 200 \times 10^{-6} / -40 \sim +150^{\circ}\text{C}$ (Ref. to 25 $^{\circ}\text{C}$)				
Storage Temperature Range		$-40 \sim +150^{\circ}\text{C}$				
Reliability		AEC-Q200				
Packing Unit		3000pcs./reel ($\phi 180$)				

Consult our sales representative for other specifications.

■ DSX321G



■ DSX320G



■ DSX320GE

